



IDEAL FOR

TFD Filters

The TFD filter represents an exclusive water filtration system based on a swirl effect.

That allows a drastic reduction in the number of washes, saving water, energy and labor costs.

The swirl is obtained by means of a propeller at the filter inlet. The propeller creates a twisting motion to the incoming water flow. The suspended particles are moved against the walls centrifuging away from the filtering element.

This reduces the frequency of washing.

APPLICATIONS:

Used for filtration of all types of water.

Application in marine sector, industrial processes, agriculture, landscape gardening, etc.

BENEFITS:

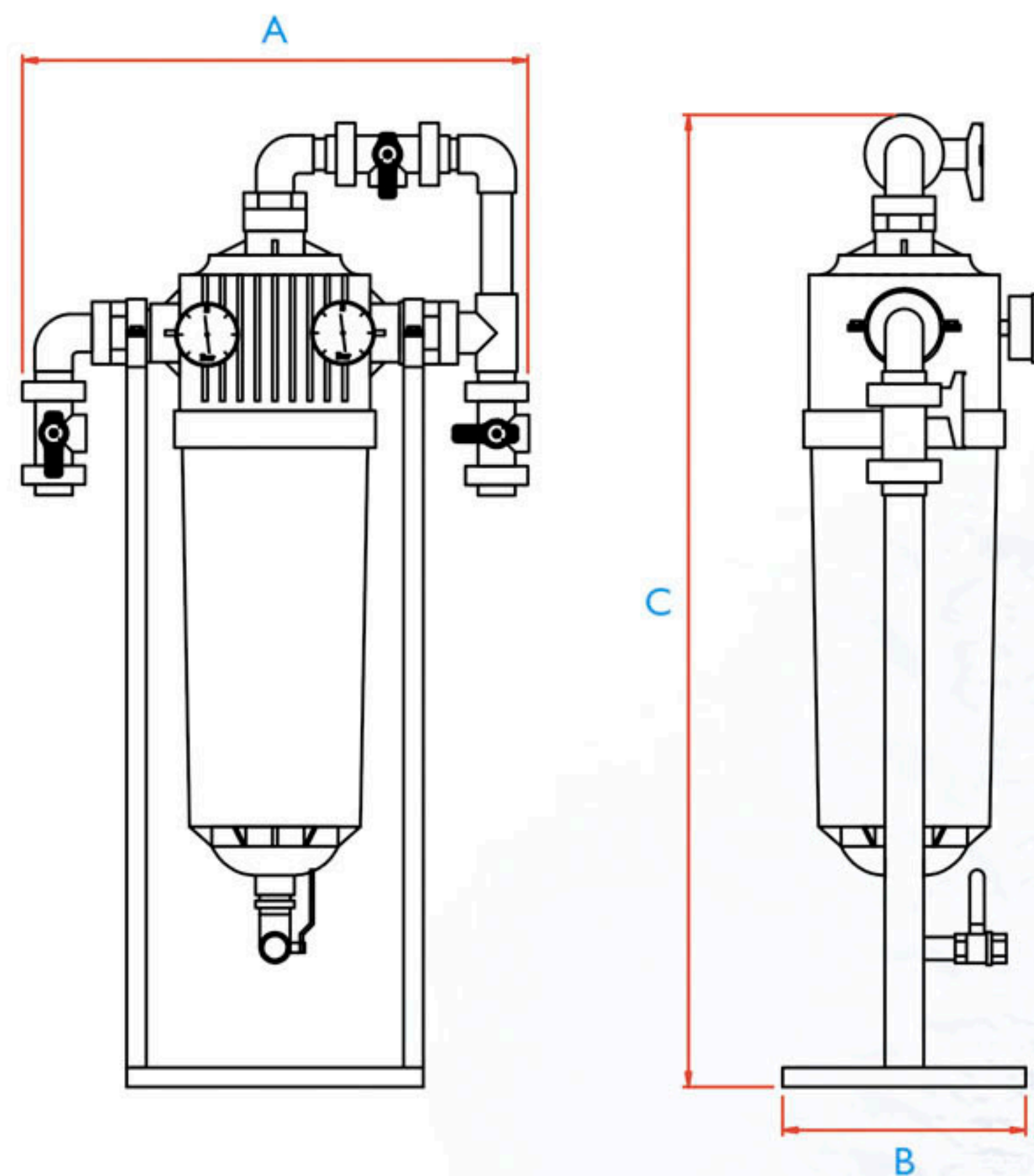
- Filtration system with a helical flow
- Modular, versatile and easy to maintain
- Made of reinforced nylon with fiberglass
- Saves water and energy
- High resistance to clogging
- Easy and quick connection
- Hydrocyclone effect

Semi-automatic version available with backflush to maximize water savings and reduce maintenance costs.

NEW!



SEMI-AUTOMATIC TFD FILTER



Technical Specifications

Model	Flow (m ³ /hour)		IN	Fittings		Power supply (Volt / frequency)	Dimensions (mm)		
	50 μm	20 μm		OUT	DRAIN		A	B	C
TFD SEMI-AUTOMATIC	17	8	1" 1/4"	DN32	1/2"	-	520	250	1000